

Solid shaft collar

SC / SSC



Standard Tolerances

Dimensions		Tolerances
Bore	1/8" - 3"	+.001 - +.003
Bore	3" - 4-15/16"	+.001 - +.004

Product Data

Carbon Steel	Bore range 1/8" to 4-15/16"
	Alloy cup point set screw
	Mild Steel-Zinc plate finish
Stainless Steel	Bore range 1/8" to 3"
	S.S. cup point set screw Type 304 S.S. Material

Holding power is achieved by the Set screw engagement into shaft material.

A low cost option when frequent adjustments are not required.

"RBL" Carbon Steel Part #	"RBL" Stainless Steel Part #	BORE "B"	O.D. "D"	Width "W"	SET SCREW SIZE
SC 1/8	SSC 1/8	1/8	0.355	0.250	6-32 x 1/8
SC 3/16	SSC 3/16	3/16	0.418	0.250	8-32 X 1/8
SC 1/4	SSC 1/4	1/4	0.480	0.281	10-32 X 1/8
SC 5/16	SSC 5/16	5/16	0.605	0.313	10-32 X 1/8
SC 3/8	SSC 3/8	3/8	0.730	0.375	1/4-20 X 3/16
SC 7/16	SSC 7/16	7/16	0.855	0.437	1/4-20 X 1/4
SC 1/2	SSC 1/2	1/2	0.980	0.437	1/4-20 X 1/4
SC 9/16	SSC 9/16	9/16	0.980	0.437	1/4-20 X 1/4
SC 5/8	SSC 5/8	5/8	1.105	0.500	5/16-18 X 1/4
SC 11/16	SSC 11/16	11/16	1.230	0.562	5/16-18 X 1/4
SC 3/4	SSC 3/4	3/4	1.230	0.562	5/16-18 X 1/4
SC 13/16	SSC 13/16	13/16	1.480	0.562	5/16-18 X 1/4
SC 7/8	SSC 7/8	7/8	1.480	0.562	5/16-18 X 5/16
SC 15/16	SSC 15/16	15/16	1.605	0.562	5/16-18 X 5/16
SC 1	SSC 1	1	1.605	0.625	5/16-18 X 5/16
SC 1-1/16	SSC 1-1/16	1-1/16	1.730	0.625	5/16-18 X 5/16
SC 1-1/8	SSC 1-1/8	1-1/8	1.730	0.625	5/16-18 X 5/16
SC 1-3/16	SSC 1-3/16	1-3/16	1.975	0.687	3/8-16 X 3/8
SC 1-1/4	SSC 1-1/4	1-1/4	1.975	0.687	3/8-16 X 3/8
SC 1-5/16	SSC 1-5/16	1-5/16	2.100	0.687	3/8-16 X 3/8
SC 1-3/8	SSC 1-3/8	1-3/8	2.100	0.750	3/8-16 X 3/8
SC 1-7/16	SSC 1-7/16	1-7/16	2.225	0.750	3/8-16 X 3/8
SC 1-1/2	SSC 1-1/2	1-1/2	2.225	0.813	3/8-16 X 3/8
SC 1-9/16	SSC 1-9/16	1-9/16	2.480	0.813	3/8-16 X 3/8
SC 1-5/8	SSC 1-5/8	1-5/8	2.480	0.813	3/8-16 X 3/8
SC1-11/16	SSC 1-11/16	1-11/16	2.480	0.813	3/8-16 X 3/8
SC 1-3/4	SSC 1-3/4	1-3/4	2.720	0.875	1/2-13 X 1/2
SC 1-13/16	SSC 1-13/16	1-13/16	2.720	0.875	1/2-13 X 1/2
SC 1-7/8	SSC 1-7/8	1-7/8	2.720	0.875	1/2-13 X 1/2
SC 1-15/16	SSC 1-15/16	1-15/16	2.975	0.875	1/2-13 X 1/2
SC 2	SSC 2	2	2.975	0.875	1/2-13 X 1/2
SC 2-1/8	SSC 2-1/8	2-1/8	2.975	0.875	1/2-13 X 1/2
SC 2-3/16	SSC 2-3/16	2-3/16	3.225	0.937	1/2-13 X 1/2
SC 2-1/4	SSC 2-1/4	2-1/4	3.225	0.937	1/2-13 X 1/2
SC 2-5/16	SSC 2-5/16	2-5/16	3.225	0.937	1/2-13 X 1/2
SC 2-3/8	SSC 2-3/8	2-3/8	3.225	0.937	1/2-13 X 1/2
SC 2-7/16	SSC 2-7/16	2-7/16	3.470	1.000	1/2-13 X 1/2
SC 2-1/2	SSC 2-1/2	2-1/2	3.470	1.000	1/2-13 X 1/2
SC 2-9/16	SSC 2-9/16	2-9/16	3.720	1.125	1/2-13 X 9/16
SC 2-5/8	SSC 2-5/8	2-5/8	3.720	1.125	1/2-13 X 9/16
SC 2-11/16	SSC 2-11/16	2-11/16	3.970	1.125	1/2-13 X 5/8
SC 2-3/4	SSC 2-3/4	2-3/4	3.970	1.125	1/2-13 X 5/8
SC 2-13/16	SSC 2-13/16	2-13/16	3.970	1.125	1/2-13 X 5/8
SC 2-7/8	SSC 2-7/8	2-7/8	4.220	1.125	1/2-13 X 5/8
SC 2-15/16	SSC 2-15/16	2-15/16	4.220	1.125	1/2-13 X 5/8
SC 3	SSC 3	3	4.220	1.125	1/2-13 X 5/8
SC 3-3/16	***	3-3/16	4.220	1.125	1/2-13 X 5/8
SC 3-7/16	***	3-7/16	4.470	1.125	1/2-13 X 5/8
SC 3-15/16	***	3-15/16	4.970	1.125	1/2-13 X 5/8
SC 4-7/16	***	4-7/16	5.970	1.375	5/8-11 X 3/4
SC 4-15/16	***	4-15/16	6.400	1.375	5/8-11 X 3/4



Double split shaft collar

2SC / 2SSC



Standard Tolerances

Dimensions		Tolerances
Bore	1/8" - 3"	+0.001 - +0.003
Bore	3" - 3 -15/16"	+0.001 - +0.004

Product Data

Carbon Steel	Bore range 1/8" to 3 -15/16"
	Alloy cup set screw Mild Steel-Zinc plate finish
Stainless Steel	Bore range 1/8" to 3" S.S. cup set screw Type 304 S.S. Material

"RBL" Carbon Steel Part #	"RBL" Stainless Steel Part #	Bore "B"	O.D. "D"	Width "W"	Cap Screw Size
2SC 1/8	2SSC 1/8	1/8	1/2	1/4	4-40 X 3/8
2SC 3/16	2SSC 3/16	3/16	5/8	5/16	4-40 X 3/8
2SC 1/4	2SSC 1/4	1/4	11/16	5/16	4-40 X 3/8
2SC 5/16	2SSC 5/16	5/16	11/16	5/16	4-40 X 3/8
2SC 3/8	2SSC 3/8	3/8	7/8	11/32	6-32 X 3/8
2SC 7/16	2SSC 7/16	7/16	15/16	3/8	6-32 X 3/8
2SC 1/2	2SSC 1/2	1/2	1-1/8	13/32	8-32 X 1/2
2SC 9/16	2SSC 9/16	9/16	1-1/4	7/16	10-32 X 1/2
2SC 5/8	2SSC 5/8	5/8	1-5/16	7/16	10-32 X 1/2
2SC 11/16	2SSC 11/16	11/16	1-3/8	7/16	10-32 X 1/2
2SC 3/4	2SSC 3/4	3/4	1-1/2	1/2	1/4-28 X 5/8
2SC 13/16	2SSC 13/16	13/16	1-5/8	1/2	1/4-28 X 5/8
2SC 7/8	2SSC 7/8	7/8	1-5/8	1/2	1/4-28 X 5/8
2SC 15/16	2SSC 15/16	15/16	1-3/4	1/2	1/4-28 X 5/8
2SC 1	2SSC 1	1	1-3/4	1/2	1/4-28 X 5/8
2SC 1-1/16	2SSC 1-1/16	1-1/16	1-7/8	1/2	1/4-28 X 5/8
2SC 1-1/8	2SSC 1-1/8	1-1/8	1-7/8	1/2	1/4-28 X 5/8
2SC 1-3/16	2SSC 1-3/16	1-3/16	2-1/16	1/2	1/4-28 X 5/8
2SC 1-1/4	2SSC 1-1/4	1-1/4	2-1/16	1/2	1/4-28 X 5/8
2SC 1-5/16	2SSC 1-5/16	1-5/16	2-1/8	9/16	1/4-28 X 5/8
2SC 1-3/8	2SSC 1-3/8	1-3/8	2-1/4	9/16	1/4-28 X 5/8
2SC 1-7/16	2SSC 1-7/16	1-7/16	2-1/4	9/16	1/4-28 X 5/8
2SC 1-1/2	2SSC 1-1/2	1-1/2	2-3/8	9/16	1/4-28 X 5/8
2SC 1-9/16	2SSC 1-9/16	1-9/16	2-3/8	9/16	1/4-28 X 5/8
2SC 1-5/8	2SSC 1-5/8	1-5/8	2-5/8	11/16	5/16-24 X 7/8
2SC 1-11/16	2SSC 1-11/16	1-11/16	2-3/4	11/16	5/16-24 X 7/8
2SC 1-3/4	2SSC 1-3/4	1-3/4	2-3/4	11/16	5/16-24 X 7/8
2SC 1-13/16	2SSC 1-13/16	1-13/16	2-7/8	11/16	5/16-24 X 7/8
2SC 1-7/8	2SSC 1-7/8	1-7/8	2-7/8	11/16	5/16-24 X 7/8
2SC 1-15/16	2SSC 1-15/16	1-15/16	3	11/16	5/16-24 X 7/8
2SC 2	2SSC 2	2	3	11/16	5/16-24 X 7/8
2SC 2-1/16	2SSC 2-1/16	2-1/16	3-1/8	3/4	5/16-24 X 7/8
2SC 2-1/8	2SSC 2-1/8	2-1/8	3-1/4	3/4	5/16-24 X 7/8
2SC 2-3/16	2SSC 2-3/16	2-3/16	3-1/4	3/4	5/16-24 X 7/8
2SC 2-1/4	2SSC 2-1/4	2-1/4	3-1/4	3/4	5/16-24 X 7/8
2SC 2-5/16	2SSC 2-5/16	2-5/16	3-3/8	3/4	5/16-24 X 7/8
2SC 2-3/8	2SSC 2-3/8	2-3/8	3-1/2	3/4	5/16-24 X 7/8
2SC 2-7/16	2SSC 2-7/16	2-7/16	3-1/2	3/4	5/16-24 X 7/8
2SC 2-1/2	2SSC 2-1/2	2-1/2	3-3/4	7/8	3/8-24 X 7/8
2SC 2-9/16	2SSC 2-9/16	2-9/16	3-7/8	7/8	3/8-24 X 7/8
2SC 2-5/8	2SSC 2-5/8	2-5/8	3-7/8	7/8	3/8-24 X 7/8
2SC 2-11/16	2SSC 2-11/16	2-11/16	4	7/8	3/8-24 X 7/8
2SC 2-3/4	2SSC 2-3/4	2-3/4	4	7/8	3/8-24 X 7/8
2SC 2-13/16	2SSC 2-13/16	2-13/16	4-1/4	7/8	3/8-24 X 7/8
2SC 2-7/8	2SSC 2-7/8	2-7/8	4-1/4	7/8	3/8-24 X 7/8
2SC 2-15/16	2SSC 2-15/16	2-15/16	4-1/4	7/8	3/8-24 X 7/8
2SC 3	2SSC 3	3	4-1/4	7/8	3/8-24 X 7/8
2SC 3-3/16		3-3/16	4-1/2	7/8	3/8-24 X 7/8
2SC 3-7/16		3-7/16	4-3/4	7/8	3/8-24 X 7/8
2SC 3-1/2		3-1/2	4-3/4	7/8	3/8-24 X 7/8
2SC 3-15/16		3-15/16	5-1/4	7/8	3/8-24 X 7/8

Single split shaft collar

CSC / CSSC



"RBL" Carbon Steel Part #	"RBL" Stainless Steel Part #	Bore "B"	O.D. "D"	Width "W"	Cap Screw Size
CSC 1/8	CSSC 1/8	1/8	1/2	1/4	4-40 X 3/8
CSC 3/16	CSSC 3/16	3/16	5/8	5/16	4-40 X 3/8
CSC 1/4	CSSC 1/4	1/4	11/16	5/16	4-40 X 3/8
CSC 5/16	CSSC 5/16	5/16	11/16	5/16	4-40 X 3/8
CSC 3/8	CSSC 3/8	3/8	7/8	11/32	6-32 X 3/8
CSC 7/16	CSSC 7/16	7/16	15/16	3/8	6-32 X 3/8
CSC 1/2	CSSC 1/2	1/2	1-1/8	13/32	8-32 X 1/2
CSC 9/16	CSSC 9/16	9/16	1-1/4	7/16	10-32 X 1/2
CSC 5/8	CSSC 5/8	5/8	1-5/16	7/16	10-32 X 1/2
CSC 11/16	CSSC 11/16	11/16	1-3/8	7/16	10-32 X 1/2
CSC 3/4	CSSC 3/4	3/4	1-1/2	1/2	1/4-28 X 5/8
CSC 13/16	CSSC 13/16	13/16	1-5/8	1/2	1/4-28 X 5/8
CSC 7/8	CSSC 7/8	7/8	1-5/8	1/2	1/4-28 X 5/8
CSC 13/16	CSSC 13/16	15/16	1-3/4	1/2	1/4-28 X 5/8
CSC 1	CSSC 1	1	1-3/4	1/2	1/4-28 X 5/8
CSC 1-1/16	CSSC 1-1/16	1-1/16	1-7/8	1/2	1/4-28 X 5/8
CSC 1-1/8	CSSC 1-1/8	1-1/8	1-7/8	1/2	1/4-28 X 5/8
CSC 1-3/16	CSSC 1-3/16	1-3/16	2-1/16	1/2	1/4-28 X 5/8
CSC 1-1/4	CSSC 1-1/4	1-1/4	2-1/16	1/2	1/4-28 X 5/8
CSC 1-5/16	CSSC 1-5/16	1-5/16	2-1/8	9/16	1/4-28 X 5/8
CSC 1-3/8	CSSC 1-3/8	1-3/8	2-1/4	9/16	1/4-28 X 5/8
CSC 1-7/16	CSSC 1-7/16	1-7/16	2-1/4	9/16	1/4-28 X 5/8
CSC 1-1/2	CSSC 1-1/2	1-1/2	2-3/8	9/16	1/4-28 X 5/8
CSC 1-9/16	CSSC 1-9/16	1-9/16	2-3/8	9/16	1/4-28 X 5/8
CSC 1-5/8	CSSC 1-5/8	1-5/8	2-5/8	11/16	5/16-24 X 7/8
CSC 1-11/16	CSSC 1-11/16	1-11/16	2-3/4	11/16	5/16-24 X 7/8
CSC 1-3/4	CSSC 1-3/4	1-3/4	2-3/4	11/16	5/16-24 X 7/8
CSC 1-13/16	CSSC 1-13/16	1-13/16	2-7/8	11/16	5/16-24 X 7/8
CSC 1-7/8	CSSC 1-7/8	1-7/8	2-7/8	11/16	5/16-24 X 7/8
CSC 1-15/16	CSSC 1-15/16	1-15/16	3	11/16	5/16-24 X 7/8
CSC 2	CSSC 2	2	3	11/16	5/16-24 X 7/8
CSC 2-1/16	CSSC 2-1/16	2-1/16	3-1/8	3/4	5/16-24 X 7/8
CSC 2-1/8	CSSC 2-1/8	2-1/8	3-1/4	3/4	5/16-24 X 7/8
CSC 2-3/16	CSSC 2-3/16	2-3/16	3-1/4	3/4	5/16-24 X 7/8
CSC 2-1/4	CSSC 2-1/4	2-1/4	3-1/4	3/4	5/16-24 X 7/8
CSC 2-5/16	CSSC 2-5/16	2-5/16	3-3/8	3/4	5/16-24 X 7/8
CSC 2-3/8	CSSC 2-3/8	2-3/8	3-1/2	3/4	5/16-24 X 7/8
CSC 2-7/16	CSSC 2-7/16	2-7/16	3-1/2	3/4	5/16-24 X 7/8
CSC 2-1/2	CSSC 2-1/2	2-1/2	3-3/4	7/8	3/8-24 X 7/8
CSC 2-9/16	CSSC 2-9/16	2-9/16	3-7/8	7/8	3/8-24 X 7/8
CSC 2-5/8	CSSC 2-5/8	2-5/8	3-7/8	7/8	3/8-24 X 7/8
CSC 2-11/16	CSSC 2-11/16	2-11/16	4	7/8	3/8-24 X 7/8
CSC 2-3/4	CSSC 2-3/4	2-3/4	4	7/8	3/8-24 X 7/8
CSC 2-13/16	CSSC 2-13/16	2-13/16	4-1/4	7/8	3/8-24 X 7/8
CSC 2-7/8	CSSC 2-7/8	2-7/8	4-1/4	7/8	3/8-24 X 7/8
CSC 2-15/16	CSSC 2-15/16	2-15/16	4-1/4	7/8	3/8-24 X 7/8
CSC 3	CSSC 3	3	4-1/4	7/8	3/8-24 X 7/8
CSC 3-3/16	CSSC 3-3/16	3-3/16	4-1/2	7/8	3/8-24 X 7/8
CSC 3-7/16	CSSC 3-7/16	3-7/16	4-3/4	7/8	3/8-24 X 7/8
CSC 3-1/2	CSSC 3-1/2	3-1/2	4-3/4	7/8	3/8-24 X 7/8
CSC 3-13/16	CSSC 3-13/16	3-13/16	5-1/16	7/8	3/8-24 X 7/8
CSC 3-15/16	CSSC 3-15/16	3-15/16	5-1/4	7/8	3/8-24 X 7/8

Standard Tolerances

Dimensions		Tolerances
Bore	1/8" - 3"	+0.01 - +0.03
Bore	3" - 3-15/16"	+0.01 - +0.04

Product Data

Carbon Steel	Bore range 1/8" to 3-15/16"
	Alloy cup point set screw Mild Steel-Zinc plate finish
Stainless Steel	Bore range 1/8" to 3"
	S.S. cup point set screw Type 304 S.S. Material



Threaded single split shaft collar

TCSC



Standard Tolerances

Dimensions		Tolerances
Bore	1/8" - 1"	+0.001 - +.003
Bore	1-1/4" - 2"	+0.001 - +.004

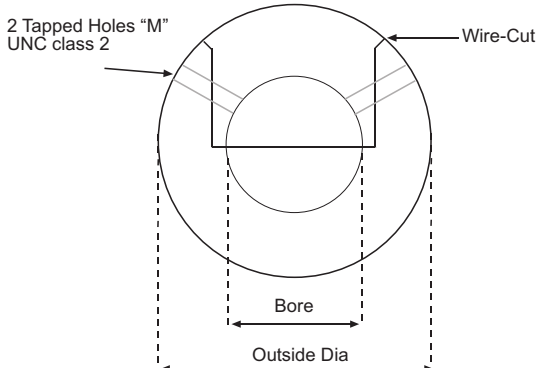
Product Data

Carbon Steel	Bore range 1/4"-20 to 2"-12 Alloy cap screw Mild Steel-Black oxide finish
--------------	---

"RBL" Carbon Steel Part #	Bore "B"	O.D. "D"	Width "W"	Cap Screw Size
CSC 1/4-20	1/4"-20	11/16	5/16	4-40 X 3/8
CSC 1/4-28	1/4"-28	11/16	5/16	4-40 X 3/8
CSC 5/16-18	5/16"-18	11/16	5/16	4-40 X 3/8
CSC 5/16-24	5/16"-24	11/16	5/16	4-40 X 3/8
CSC 3/8-16	3/8"-16	7/8	3/8	6-32 X 3/8
CSC 3/8-24	3/8"-24	7/8	3/8	6-32 X 3/8
CSC 1/2-13	1/2"-13	1-1/8	13/32	8-32 X 1/2
CSC 1/2-20	1/2"-20	1-1/8	13/32	8-32 X 1/2
CSC 5/8-11	5/8"-11	1-5/16	7/16	10-32 X 1/2
CSC 5/8-18	5/8"-18	1-5/16	7/16	10-32 X 1/2
CSC 3/4-10	3/4"-10	1-1/2	1/2	1/4-28 X 5/8
CSC 3/4-15	3/4"-15	1-1/2	1/2	1/4-28 X 5/8
CSC 7/8-09	7/8"-9	1-5/8	1/2	1/4-28 X 5/8
CSC 7/8-14	7/8"-14	1-5/8	1/2	1/4-28 X 5/8
CSC 1-8	1"-8	1-3/4	1/2	1/4-28 X 5/8
CSC 1-14	1"-14	1-3/4	1/2	1/4-28 X 5/8
CSC 1 1/4-7	1 1/4"-7	2-1/16	1/2	1/4-28 X 5/8
CSC 1 1/4-12	1 1/4"-12	2-1/16	1/2	1/4-28 X 5/8
CSC 1 1/2-6	1 1/2"-6	2-3/8	9/16	1/4-28 X 5/8
CSC 1 1/2-12	1 1/2"-12	2-3/8	9/16	1/4-28 X 5/8
CSC 2-12	2"-12	3	11/16	5/16-24 X 7/8

Heavy duty split shaft collar

SPLIT SC



"RBL" Part #	Bore "B"	O.D. "D"	Width "W"	SET Screw Size
SPLIT SC X 1-7/16	1-7/16	2.87	3/4	2 x 3/8
SPLIT SC X 1-15/16	1-15/16	3.87	1	2 x 1/2
SPLIT SC X 2-3/16	2-3/16	4.12	1	2 x 1/2
SPLIT SC X 2-7/16	2-7/16	4.62	1	2 x 1/2
SPLIT SC X 2-15/16	2-15/16	5.12	1-1/8	2 x 1/2
SPLIT SC X 3-7/16	3-7/16	5.62	1-1/4	2 x 1/2
SPLIT SC X 3-15/16	3-15/16	6.37	1-1/4	2 x 5/8
SPLIT SC X 4-7/16	4-7/16	6.87	1-3/8	2 x 5/8
SPLIT SC X 4-15/16	4-15/16	7.87	1-3/8	2 x 5/8
SPLIT SC X 5-7/16	5-7/16	8.37	1-3/8	2 x 5/8
SPLIT SC X 5-15/16	5-15/16	9.12	1-3/8	2 x 5/8

Standard Tolerances

Dimensions	Tolerance
Bore	1-7/16 - 5-15/16 -.000 / +.006

Product Data

SPLIT SC	Bore Range 1-7/16 - 5-15/16 Carbon Steel- 2 Set Screws
----------	---